

JANUARY, 1949

Vol. XI-No. 1

W. H. Near, VE3ACB
Box 428,
Acton, Ontario.

7/49

XTAL

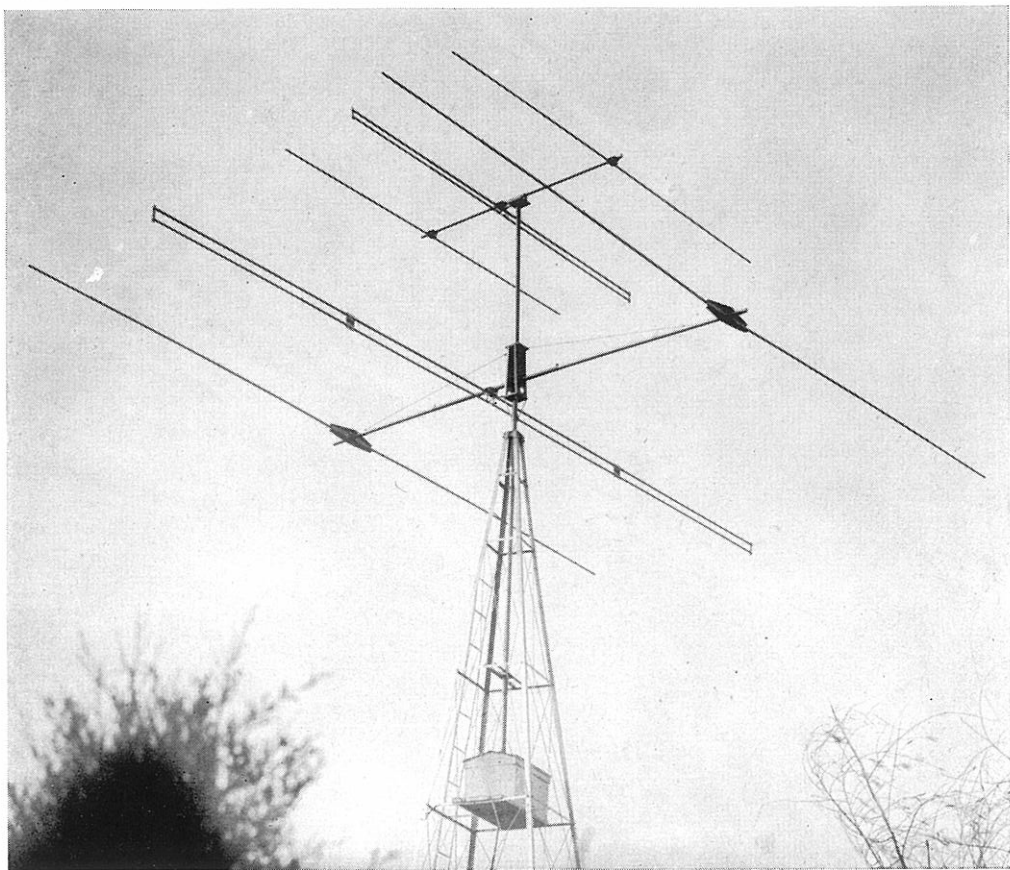
for the

radio

amateur

OFFICIAL JOURNAL
THE CANADIAN AMATEUR RADIO OPERATORS' ASSOCIATION
TORONTO, ONTARIO





HAMMOND TEN-OVER-TWENTY

Typical Installation on Windmill Tower at VE3E1,
Dwight Field, Forest, Ont.

THE ULTIMATE COMBINATION FOR CONSISTENT DX!

A Hammond Ten-Over-Twenty array is the most economical method of providing a power increase and places your signal where you want it. Provides improved signal to noise ratio and reduced QRM when used for receiving.

Write for Descriptive Literature

DISTRIBUTED THROUGH LEADING JOBBERS FROM COAST TO COAST

HAMMOND MANUFACTURING COMPANY

Limited

G U E L P H · O N T A R I O · C A N A D A



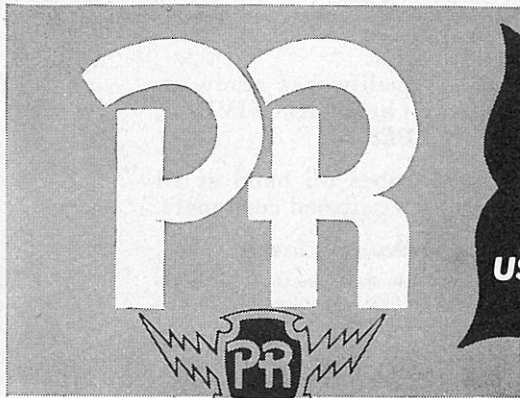
LAND, SEA and AIR

PRs stand the gaff! Wherever you go you find these fine precision crystals doing their jobs with honor . . . meriting the praise of engineers, operators and technicians. Yes — you can depend on PR for perfect frequency control . . . at low cost . . . for all amateur, commercial and industrial services.

10 METERS, Type Z-5

• 20 METERS, Type Z-3

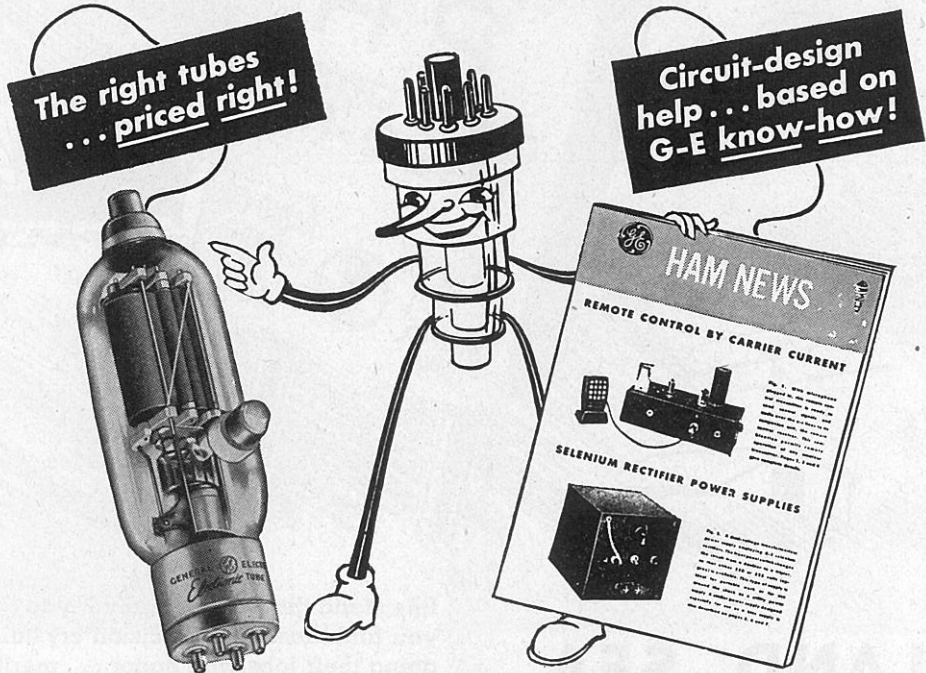
• 40 & 80 METERS, Type Z-2



**PRECISION
CRYSTALS**
USE "PR"
and KNOW where You Are!

PETERSEN RADIO COMPANY, INC., 2800 W. BROADWAY, COUNCIL BLUFFS, IOWA

GET BOTH!



GENERAL ELECTRIC

Receiving, Transmitting and Industrial Type Tubes

In choosing tubes for his "rig" the Ham Operator selects G-E—First choice for dependable performance, quality and availability.

The familiar G-E monogram, mark of quality, has ready acceptance with all your customers, whether it be for RECEIVING, TRANSMITTING OR INDUSTRIAL TYPES.

Keep a good stock of G-E Electronic Tubes on hand at all times. You can count on them to bring back satisfied customers.

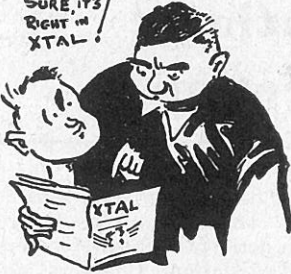
Lighthouse Larry

P.S. — Make sure all the Hams you know are on our mailing list to receive Ham News; if not, send names and addresses to me c/o nearest C-G-E office.

CANADIAN GENERAL ELECTRIC CO LTD
HEAD OFFICE—TORONTO

49-TU-1R

SURE, IT'S
RIGHT IN
XTAL!



XTAL

[CRYSTAL]

VOL. XI
No. 1



JANUARY
1949

Published by
**THE CANADIAN AMATEUR RADIO OPERATORS'
ASSOCIATION**

46 ST. GEORGE ST., TORONTO 5, ONTARIO
TEL. Midway 8235

Contents

	Page
Editorial	4
Revamping the T-1154.....	6
DX News	8
Traffic Dept.	9
Club Activities	10
National Report	11

STAFF

Editor
T. G. E. Powell, Ve3ZE

DX Editor
R. D. Carter, Ve3QD

Advertising Manager
Don Fairbairn

CAROA

Affiliated with
A.R.R.L. and R.S.G.B.

OFFICERS

President
T. G. E. Powell, Ve3ZE

Vice-President
R. A. R. Macdonald, Ve3APS

EXECUTIVE COMMITTEE

The Officers and,
W. H. Anderson, Ve3AAZ
A. A. McArthur, Ve3DJ
A. Palmer, Ve3WK
J. Staley, Ve3GR
H. A. M. Whyte, Ve3BWY

DISTRICT REPRESENTATIVES

Phil Loosen, Ve1KQ
F. G. Gribben, Ve2XR
W. Bert Knowles, Ve3QB
G. J. Walsh, Ve4GW
A. C. Cox, Ve5BF
W. R. Savage, Ve6EO
Ernie Savage, Ve7FB
Jack Spall, Ve8AS

CAROA

Authorized as second class mail, Post Office Department, Ottawa.



on the
EDITOR'S
FREQUENCY....

Nominations and Election

CAROA elections are announced in this issue. The news will come as a surprise to some, but there are at least two good reasons for our decision.

First, the size of the present Executive Committee is altogether too small for the work to be done with the inevitable result that some things must suffer—a condition which is not good for either CAROA or XTAL.

Secondly, we recently asked the membership to express itself for or against an election to be immediately held under the provisions of the existing constitution. The response was unanimously opposed to an early election, but the response was limited and could not be construed as being sufficiently extensive as to be a representative cross-section of association thinking.

We know a contrary opinion exists, and we know also that it is not always so inarticulate as it was when it had the opportunity to express itself in an official way that would mean something. However, it exists, and we are taking cognizance of the fact.

So, an election is to be held, and as a necessary preliminary thereto the secretary will accept nominations between the seventh and twenty-eighth days of February, 1949, both days inclusive. In this connection, it is important to note that any member in good standing may be nominated but each nomination must carry the signatures of five members in good standing.

The general administrative set-up is that the Executive Committee is composed of representatives of the various call areas, and the Immediate Past President ex-officio. The number of representatives from an area is determined by the number of members in the area.

The Executive Committee having been elected, their first duty is to elect the officers from their own numbers. The constitution provides that the officers shall be a President, a Vice-President, a Secretary, a Treasurer and a Publications Manager, with the office of the Secretary, the Treasurer and the Publications Manager being at headquarters in the City of Toronto. In other words, the membership of the association elects the group that is to guide the destinies of the association for the time being, and the group decides who of its own numbers shall serve as officers.

The Executive Committee shall also appoint Under-Secretaries in charge of various departments of association activity such as Members, Clubs, Technical, Legislation, Chapters and Statistics. Under-Secretaries are both subservient and responsible to the Executive Committee. Their appointment seems necessary in view of the decentralized nature of the Executive Committee, and in order that someone may be held personally responsible for the proper functioning of each of the departments.

There is just one more point to keep in mind in connection with nominations. No member shall be eligible for nomination, or election, who is engaged in the manufacture, sale or rental of amateur radio equipment. All other information will be given to you when the election ballot is presented.

In the meantime, give some thought to nominations. Who of your associates would you like to see represent your area on the Executive Committee? Serving on the committee is an important assignment which offers scope for initiative and for the use of energy in the development of CAROA and XTAL. There is a lot of work to be done, but it is pleasant work which offers as its reward the personal satisfaction one gets from rendering service to the hobby.

Occasionally, there is a pat on the back; sometimes the physical force behind the contact removes it from the classification of a pat and calls for the use of another instrument of delivery and in such cases the point of contact is in a region somewhat lower than the anatomical area in which a pat is generally placed. Nevertheless, it is a pleasant endeavour that puts one in touch with many very fine amateurs across the country. We can assure you CAROA has many loyal and staunch supporters who never criticize merely for the purpose of finding fault but who, on the other hand, inspire a greater effort by their kindly and constructive suggestions. Those members represent the type of citizen who is worthy of inclusion in the ranks of a hobby which is noted for its public spirited service; the type of citizen who is not over-zealous in his desire to bring discredit on those who serve, but who realizes that mistakes are bound to occur wherever humans labour, and who will make due allowances for all the handicapping factors that enter into the directing of the affairs of such an organization as CAROA and its

magazine XTAL. To meet, to serve, or to work with such sterling citizens is a privilege and honour indeed. The true spirit of fraternalism that springs from their very existence makes the burden lighter and the duties less onerous.

And so, nominations are being called. Here is your opportunity to place in office the best possible men who are able and willing to render service to an outstanding cause. CAROA is not quarrelling with any individual, group or organization. It is not endeavouring to displace any organization, but it has an important domestic function to perform and it requires the best of our members to properly discharge those duties.

Nominations are called, let us have your nominations.

Following the inauguration of a subscription fee of one dollar for XTAL last spring, in spite of the fact twelve issues were published (more or less regularly), membership did not increase. It must be large enough to provide coverage to encourage advertisers, so the one dollar charge for XTAL has been dropped. All members who paid at the \$2 rate had membership extended one year, and a membership campaign instituted. Let's get over 3,000 this year. It can be done if each member will do his share in stimulating interest in our association.

HAMS FILL BREACH IN NEWS EMERGENCY

(From The Vancouver News-Herald)

Newspapers and radio stations in British Columbia owe a debt of gratitude to "ham" radio operators.

When Canadian Press leased wires to eastern Canada and the Associated Press wire from the United States were knocked out by heavy snow during the week-end, vital news-copy was expedited over the breach by radio communication between H. H. Savage of 4553 W. 12th, and W. W. Butchart of Edmonton.

Savage established communication with Butchart from his amateur station at his home.

Canadian Press staffers at each end edited important Canadian and international news and the "skeletonized" copy was read over the radio by Butchart and typed by a Canadian Press operator here with Savage at the wireless set's controls.

Two other hams stood ready early Monday to guard against further possible news wire failures.

Marvin H. Thoreau of 3281 W. 34th, and fellow-ham Don Sutherland of Calgary, kept up communication until assured service was restored.

COUPON

Please enroll me as a member of the Canadian Amateur Radio Operators Association. I am enclosing a cheque (), money order (), postal note () to the amount of one dollar which entitles me to all rights and privileges therein, and a year's subscription to XTAL magazine.

Name

Call Letters

Address

City Prov.

Licence Number

State your interest in radio if not licenced

REMIT TO: The Canadian Amateur Radio Operators Association, 46 St. George Street, Toronto, Canada.

QVE

CAROA Official Bulletins
75 Meters Each Thursday
9 p.m. Local Time

The undersigned stations have been appointed as CAROA Official Bulletin Stations. Be sure to listen for your district OBS for latest messages and bulletins of interest to all Canadian amateurs.

Ve1GD—3835 Kc—H. A. Garland
 VE2DL—3809 Kc—R. Frenette
 Ve2TM—3842 Kc—Leon Baldwin
 Ve3QB—3835 Kc—W. B. Knowles
 Ve3CP—3775 Kc—T. Hunter
 Ve4KK—3820 Kc—B. Fowler
 Ve5FA—3848 Kc—W. A. G. Simpson
 *Ve5GA—3847 Kc—W. T. Rogers
 Ve6OD—3801 Kc—E. A. Anderson
 Ve7FB—3825 Kc—H. E. Savage
 Ve8AS—3820 Kc—J. Spall

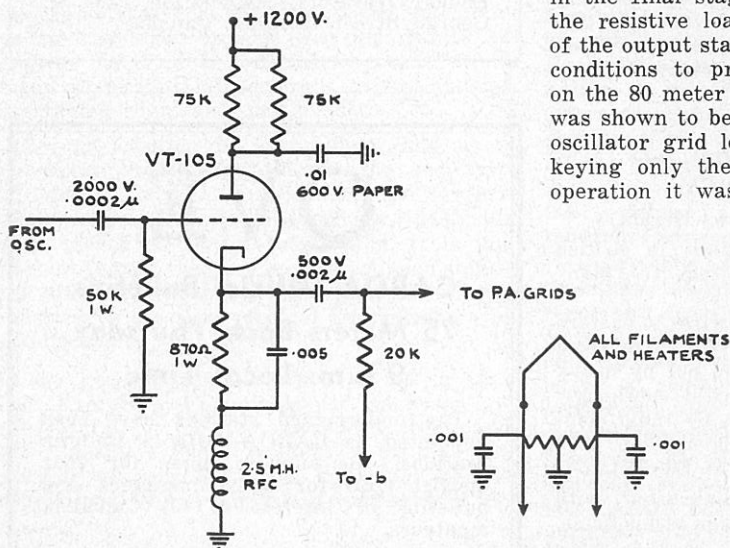
*—10:00 p.m.

Revamping the T-1154 for CW on 80 and 40 Meters

By A. K. Meen, Ve3DAR

During the last six months, many hams and potential hams have invested their hard-earned money in the currently available War Assets T-1154 transmitter, but comment upon the operation of these transmitters has been far from complimentary. Even with a well-filtered power supply, it has been found virtually impossible to produce a "pure DC" note. The following is an outline of the procedure used by the author to remodel this transmitter so that T9X reports are now consistently received on both the 80 and 40 meter bands.

Our first step was to disconnect the grounded heater lead from the chassis and to bypass to ground both sides, as shown in Figure 1. If the filament transformer has a centre-tap, this should be connected to the chassis. In the event there is no centre-tap



on the transformer a centre-tapped resistance should be connected between the filament terminals with centre grounded. In some of these transmitters, a filament modification has been incorporated which consists of a pair of parallel resistors placed in series with the heater leads to the output stages, the resistors being shorted out when the transmitter is in operation. Since these resistors tend to unbalance the filament circuit, they were removed, and all heaters are operated at 6.3 volts. The leads to the actuating coils of the

relay should also be disconnected and the relay secured permanently in the "transmit" position. We would like to mention at this point that these filament modifications alone were sufficient to give us an almost consistent T9 report on 80 meters, most of the hum evidently having been introduced via the unbalanced filament circuit.

Since in "key-up" position, the whole power supply voltage was applied to the plate of the oscillator tube, and since in "key-down" position the plate voltage on the oscillator was of the order of only 300 volts, we were not surprised that we received reports of a pronounced chirp. We tried connecting a voltage regulator VR-150-30 to this stage in order to stabilize the oscillator plate voltage at 150 volts, but found that this voltage did not provide sufficient power to drive the tubes in the final stage satisfactorily. In addition, the resistive loading and the "Miller effect" of the output stage were sufficient under these conditions to produce a dreadful chirp even on the 80 meter band. The Miller effect itself was shown to be very great by connecting the oscillator grid leak return to ground and by keying only the final, in which condition of operation it was found that on 40 meters a

frequency shift of the oscillator between "key-up" and "key-down" positions was something of the order of 10 Kc.

We have for some time been great exponents of the advantages and applications of cathode followers. We therefore decided that what this transmitter really needed was a buffer-amplifier and that the simplest and most convenient buffer-amplifier

possible would be one arranged as a cathode follower as shown in Fig. 2. The modulator tube (the second VT-105 nearest the front of the transmitter) was used for this purpose. All leads except those to the heater were disconnected from the socket, and in order to facilitate rewiring the latter, the female Jones plug was removed along with the shielded leads which were connected to it. The only wire on the plug which was not entirely removed from the transmitter was the heater lead, and in this case the wire

was merely moved over and soldered directly to the appropriate terminal on the socket of the "future" buffer-amplifier VT-105. The two 75,000-ohm resistors which originally provided a voltage divider for this tube, were rewired in parallel to drop the voltage on the plate of the buffer to approximately 300 volts, although this voltage is not critical. The 870-ohm resistor shown in the cathode circuit of the VT-105 is the same resistor as was used for biasing that tube when it was used as a modulator, and was removed from the rear of the chassis and soldered in directly at the cathode terminal of the tube. The remainder of the circuit is self-explanatory, the only comment seemingly necessary being that a choke of approximately 2.5 m.h. is used in the cathode circuit, and it is across this choke that the RF voltage from the oscillator is developed. A .002 mfd. 500-volt mica condenser was connected between the cathode of the cathode follower and the control grids of the power amplifier stage. The .0002 mfd. 2000 V. mica condenser which was originally connected between the power amplifier grids and the oscillator stage was then rewired to apply the output from the oscillator stage to the control grid of the cathode follower buffer-amplifier. If care is taken not to apply high voltage to the transmitter before the cathode follower has thoroughly warmed up, the plate bypass condenser of the buffer stage need not have a high-voltage rating, since under operating conditions the plate voltage on the cathode-follower does not exceed 300 volts. Otherwise, the bypass condenser should be able to stand the full power supply voltage.

We have not taken the time nor the space to outline the various advantages of this type of buffer-amplifier, but for those who are interested we should refer to QST, October, 1946, in which the characteristics of this amplifier are carefully studied. In that article, the author has used a parallel resonant circuit in the cathode circuit rather than a mere choke, since he felt that the shunting capacity across the cathode circuit would be sufficient to impair the operation of the cathode follower. However, we have found that for frequencies up to at least 7 Mc the shunting capacity is not sufficient to unduly load the cathode follower and that it is not necessary to complicate matters by the substitution of such a parallel resonant circuit in place of the choke.

A true ham never stops experimenting and so we think that the next step we shall attempt will be to once again apply a regulated voltage to the oscillator and to attempt to key both the oscillator and the final. As the situation now stands, only the final is keyed, and the grid return of the oscillator is tied directly to ground so that, when "B" power is applied, the oscillator and buffer-amplifier run continuously. The isolation characteristic of

the cathode follower is such that the change in frequency of the oscillator between key-up and key-down positions is so small it can scarcely be noted even on the 40 meter band. On both bands we are now consistently receiving T9X reports—with the exception of a T8 report on 40 meters at a time when we were inadvertently operating with a blown 866 in the power supply.

Since the above modifications of necessity increase the current flow through the biasing network consisting of the 5000-ohm resistor across which the key is connected, sparking at the key may be found to be excessive. In order to reduce the voltage across the key to the original of approximately 150 volts, a 7500-ohm, 10-watt wire-wound resistor was connected between chassis and -B, the resistor being mounted inside the transmitter under the buffer-amplifier tube socket.

Just out of interest, we rewired the RF ammeter so as to place it in series with the high frequency antenna terminal used on these two ham bands. We found that it worked most satisfactorily and it has become a useful adjunct to the rig.

So, OM's, don't throw away that T-1154 just because you got tired of receiving "RST 597c, sorry OM". Get to work and fix up the rig as outlined above, and we'll see you on 40 metres!

SCARBORO A.R.C.

ANNUAL BANQUET

AT THE Y.W.C.A.
1152 Gerrard St. E.

Saturday, Jan. 29

TURKEY DINNER
ENTERTAINMENT
PRIZES

Registration Starts 3 p.m.
TICKETS: \$2.75

Write or phone Jim Cockburn,
34 Wolcott Ave., GR. 0367

DX NEWS OF THE MONTH

By R. D. Carter, Ve3QD

So far we have avoided any sort of lecturing about the use and practices employed on the various bands in the belief that what went on was the business of the amateurs themselves. We have always felt that in their own interests they would exercise common sense both for their own good and for the good of all concerned. Lately, however, there are certain bad operating habits that are rapidly making the bands (particularly 20 meters) a joke to us all and also driving the rare stations off the air. The chief of these is the use of VFO's. Now a VFO is a mighty useful gadget, but the present practice of parking it on a dx frequency and calling that station for ten minutes is to say the least ridiculous. If you wish to call on frequency, by all means do so, but three calls and a couple of signatures is all that's necessary. If you don't get him then, either shift frequency and go on calling or give the chap who has got him a chance to QSO. The W's are the worst offenders in this respect, and we don't need to say any more about this, as anyone who has worked the band knows what I mean. However, they are not alone, and let's not join in this vicious circle. Time after time we have heard good dx driven off the band by those who continually kept calling all the time the QSO is on. There are only two reasons for this. Either the calling station can't hear the dx and hopes to eventually get him blindly, or he is one of those birds who don't give a darn for anyone else and hopes to blast through and drive the others off so he can have the honor(?) of being the one who outlasted the rest. A swell spirit, and believe me there's plenty of prominent dx men who fall in this class. Another, and here the Ve's are bad, is the futile practice of endless CQ's. An odd CQ is good business, but don't get in the habit of doing nothing else, as you will work three times as much dx calling it than getting it via the CQ route. Each and every one of these CQ's causes just that much more needless QRM, and if every one did this, who would answer who? I know the answer to the foregoing, and it's so easy that you would think that by now it would be employed. What is that, you say? Simply that the dx stations stop answering calls on their own frequency. Sounds too easy, but did you ever hear the few wise ones who do this? It's a treat, and very, very effective. Well, that's that, and hope you will pardon the outburst, but it affects us all, and if any are guilty it would be well to give some thought to what

I've said.

The CQ contest was very interesting, and while conditions in general were far from good here, Europe was wide open on all bands but 80 and a lot of fun was had by all. It was queer, though, not to hear the VK and ZL stations on 10 and 20, although they were coming in on 40 both nights. The Asians were few and far between and only came through for very short periods on the three bands. Ten was limited to a 15-minute opening on the last day, and in that short time were S8/9. This just saved that band from a washout as far as Asia was concerned. We heard no VK or ZL's on ten, though a couple of the boys report the odd QSO. Guess we weren't on in the brief time they broke through. On twenty, leaving Europe out of the picture, conditions were erratic, and while the ZS's came though well, only the odd other call sign was heard from Africa. South America was only fair and the Pacific outside of the KH6's just didn't exist. On 40 the picture was altogether different, and that band was really good on both nights. In about seven hours operating we had 52 QSO's with 25 different countries on this band and all continents except Africa were worked. We didn't hear Africa, though some of the others did. It's usually quite easy to work, too, so guess that most of them were on other bands at the time they usually come through here. Eighty was poor and the only dx we heard was a KZ. True, we didn't spend too much time there, but enough to know that it hadn't yet opened up for the year. It should be good from now on, and I would be interested in any reports of dx heard or worked on 80. Ve5QZ found conditions there much the same as they were in Ontario, but Ve7HC found them different on the coast. Europe was not too good on ten or 40, but he did manage to work his usual quota of Pacific stations for Asia, and there he missed many of the usual ones. Ten was a disappointment to him and was well below par. On the whole, we feel that the only thing that saved the contest from being a flop as far as Ve was concerned was the fact that no limit was placed on the number of contacts in each country. With condx getting worse all the time, we feel this to be an important point in future contests. Nothing, to our way of thinking, is worse than trying to work dx that doesn't exist with dozens of dx stations coming through from countries in which you have worked your quota. Haven't seen A.R.R.L.'s rules for this

year, but hope they will amend their rules as regards the three per country. If not, it's going to be a long slow drag. I'm not listing any claimed scores yet, but will say that we know of three between 80,000 and 111,000 points. None of these included many W QSO's either, so there was some dx around—hi.

Now the general mail bag. Ve3OT reports that he is on 75 and 20 with fone, and while not too active still has a lot of fun. Aubrey and I broke into radio together years ago when licenses were unknown. Ve7HC is back from the gold fields and really went to town in the contest. He says not to pass up any C3's, as some of them are in Formosa. He worked CZ1CL, FI8ZZ, YS1PB, VP8AJ, MP4BAB, TA3AA, CT2AB, AR8AB, UO5AC, UF6KAB for some nice new countries. Heard were VU4CN and CZ2AC. Ve3QE liked the test and added some new ones to his total. He also reports good hunting on 40. Ve4RO adds ZD9AA and ZS3B, and while he operated only 30 hours in the test he certainly made good use of that time. Ve5QZ has been busy and works CR9AG, UA9CC, UL7BS and others to jump his totals. He reports hearing KG6DI saying on 40 that he had worked 39 zones and he still had 12 hours to get the last one. Things must have been better in Guam than they were here. Ve3BNG nailed HL1BB, VP2GE, ZS3D, ZS8A, ZL2LV, VQ8AE, VP2AC, CR7AH and ZD1AS for new ones on ten fone. He's up to 91 countries on ten now. Fb, Al. Ve2BV Don Murphy is finally on again and doing OK too in the short time he's been active. It's good to see that locations don't hold a good man down. Ve3AGC has a four-element up on twenty and it's paying dividends. He needs only one more confirmation for DXCC. Are you watching the mails these days, Cam? Ve3WW has been very busy lately and not much time for dx, but is getting the time and yen again and will soon be knocking them off at a great rate. He's lost his antenna farm and is using a three-element on ten and twenty. Bet he will soon rectify that. Worked were CR9AG, C7AT, CT3AA, ET3Y, VP8AM. Ve3LZ sends in an interesting letter outlining condx in Sioux Lookout, and they are entirely different from here. He hasn't been too active

lately due to pressure of work but we believe he's getting the urge and we should be hearing that familiar signal again. Ve3IJ has been busy with CR7AF, FP8AB (Box 15, St. Pierre), OQ5RA, CR9AG, ET3Y, CR6AW, VK9NR (Norfolk Island), VP8AD (via R.S.G.B.), ZD2GHK (Kitley c/o ATP, Sapele, Nigeria, Br. West Africa). He's still waiting for the mailman and his DXCC.

Station	PW		1948	
	Total	Zones	Total	Zones
Ve4RO	164	40	131	39
VE7HC	165	40	145	39
Ve3QD	175	38	142	38
VO6EP	181	38		
Ve3IJ	187	37		
Ve2WW	183	37	117	35
Ve1PQ	112	36	61	
Ve3AGC	129	35		
Ve3ACS	103	35	49	22
Ve3BNQ	91	35		
Ve3AVA	103	32	66	23
Ve5JV	84	31		
Ve1NE	91	32	91	32
Ve5QZ	61	29	58	29
Ve3PI	83	28	74	
Ve1OM	79	27	70	26
Ve8AS	55	26	20	15
Ve3QE	61	24	51	23

1EA 120, 3AAZ 118, 4XO 108, 3AAX 102, 6FK 93, 3LZ 90, 3BWW 87, 7EH 77, 3TB 75, 3LJ 72, 3BBN 70, 3AGX 66, 3QB 61, 4RP 61, 3BNL 52.

Contributions to Roy Carter, 304 Brookdale Ave., Toronto 12.

TRAFFIC DEPT.

AFARS HIGH SCHOOL NET

A CW net made up mainly of high school students and beginners is due to start on Jan. 1 at 1230 hrs. Anyone interested please get in touch with Flight Leaders Ve3BBM or Ve3BCJ of North Bay or Squadron Controller Ve3QB, Lanark, Ont. The frequency of the net is 7070KC (subject to change). Those joining may obtain 80 meter crystals to double to the frequency if necessary. Since most of the members who have joined the net are beginners, the speed has been set not to exceed 15 WPM and will be kept around 10-20 WPM.

CONTEST CALENDAR

- Feb. 11-14—DX Competition (CW)
- Feb. 15—A.R.R.L. CP Qualifying Run
- Feb. 18-21—DX Competition (Phone)
- March 5-6—B.E.R.U. DX Tests
- March 11-14—DX Competition (CW)
- March 16—A.R.R.L. CP Qualifying Run
- March 18-21—DX Competition (Phone)
- March 19-20—B.E.R.U. DX Tests
- June 18-19—Eveready Field Day Trophy Contest

NOVEMBER TRAFFIC TOTALS

3ATR	174	3AIL	17
3APS	117	3IA	64
2LO	15	2XB	89
2GM	129	2XR	69
3BBM	8	3BUR	75
3AZZ	32	3QB	10
2XO	11	2VA	10

C A R O A

CLUB ACTIVITIES

The Victoria Emergency Corps launched its first large-scale emergency test on Sunday, Dec. 5. In order to get things rolling quickly, No. 19 sets were used, some supplied by local amateurs and some borrowed from the reserve army units.

The EC, Ve7TG, was assisted by Ve7AKV who acted as liaison officer to the Red Cross. Ve7FV was AEC. Control was set up in the Bay Street Armouries which was information centre. Ve7IM and Ve7XF did the honours here. Ve7XX and Bob Aldritt set up a station at the city police station. Their only complaint after carrying the equipment up several flights of stairs was that traffic was light. Needless to say, the equipment wasn't. At Red Cross HQ, which boasts a 25-bed hospital, Ve7AM and Keith Reid sent messages out to a mobile unit operated in Ve7MJ's car. MJ and Dave Aldritt handed the messages over to Ve7SW, who transmitted them out to the mainland by CW.

Ve7HR and Ve7PO were set up at the Red Cross lodge at the Veterans' Hospital. Here messages from the veterans were sent out to another portable station operated by Ve7ABU and Ve7AHL. They handed the traffic over to Ve7AAZ for transmission to outside points. Ve7EP stood by to check frequency and performed many a valuable service, including considerable taxi work!

The "Disaster Day" enjoyed considerable favorable comment in the newspapers both before and after the rehearsal. Both dailies ran photos of the event. The experience gained and the lessons learned on the exercise will be very useful if the need should arise for real EC operation. Plans are for a second test around May 24. It is hoped that by that time many of the gang will have emergency powered rigs available.

Victoria EC broadcasts bulletins of activities as follows: Ve7IM on Tuesday, Wednesday and Friday at 6.30 and 10.30 p.m. on 3800 Kc phone; Ve7SW on Monday and Thursday at 6.15 p.m. on 3650 Kc CW; Ve7TG on Sunday at 11 a.m. on 3850 Kc phone.

In the December issue of Southern Alberta A.R.C. we note a listing of radio books available at Lethbridge public library. The club held their fall social on Dec. 4 at Lethbridge armouries. It says here: "The show broke up some time past midnight." Sounds good.

Annual elections took place at the November meeting of the Calgary ARA, with the following being elected: President, Neil Burtch, Ve6NY; vice-president, Ken Gush, 6JK; secretary, Steve Hunka, 6BO; treasurer, John Hunter, 6XX; activities and publicity, Geo. Sargenia, 6AO. Mailing address is Box 196, Calgary, Alta.

The London Amateur Radio Club held their last meeting for 1948 at McGuire Motors, London, on Dec. 9. At this meeting a new executive was elected for 1949: President, Ced Tanner; vice-president, Earle Phillips; treasurer, Bill Rowed, 3AJH, and secretary, Jean Calder, 3BVJ. The rest of the meeting was taken in discussions on the improvement of the club for the coming year. The code classes were started again, with Russell Gilbert, 3BVP, in charge.

The Kingston A.R.C. has drawn up timetables for instruction and code for beginners, covering a ten-week course. At their full club meetings, a one-hour discussion period is set aside, with the first week open, beginners holding the floor the second week, advanced theory the subject the third week, and VHF the fourth Wednesday.

Ve7NI will soon be heard on 80 CW. This call is assigned to the School for the Blind in Vancouver, and will be operated by the student radio club.

The Kilowatt Kannonball makes an appearance as the bulletin of the Twin Saults Radio Club. Prizes are being offered for the first Ve/W 144 Mc contact between club members.

We have received news from Ve4LF regarding a fine bit of emergency traffic handling. CM9AC originated a message regarding special medical supplies urgently required from Miami, Fla. On account of skip on the 28 Mc band, the message was relayed by Ve8OH, Sawmill Bay, Baffin Island, to W4AI. A second message amending the first was handled by 8OH, 4LF and W4AI, and the drug required urgently was in Habana five hours after request. Ve7EB and LV3DH assisted with check copies and LU3DH and several others stood by while all this was going on. A splendid example of international ham co-operation.

C A R O A

NATIONAL REPORT

Ve2

Floyd G. Gribben, Ve2XR, 5120 Westbury Ave., Montreal
Phone EL. 5387

Howdy fellas! Now that you've had lots of time to break all those New Year's Resolutions, let's take one last look at 1948 and see what went on in Ve2. AFI hammers the hardware on 80 CW with 120 watts from Lennoxville. WR, according to the want ads in the Montreal Star, sold out. IJ of Mount Royal tries to compete with Radio City by using 250TH's on ten, an 833A on 20 and PP813's on 80, all modulated by a common modulator using 805's. AI's soup-squirters are a ground plane or a beam on ten, a doublet on 20 and 80. Bedlam boxes are an AR88 and an SX42. For the last three months the Quebec Emergency Net (QEN) has been meeting on 3570 Kc each Sunday at 10.30 a.m. to learn message handling and efficient operating techniques. The control station for this net is GM of Longueuil, who is looking for new members. At this writing the net consists of the following stations: GM, of Longueuil, AEH of Beloeil, VA of St. Johns, XB of Verdun, XO of Yamachiche and XR, of Montreal. These boys are registered with the SEC for Quebec, Ve2QQ of Mt. Royal, who is busy getting organized after recently taking on this appointment. If you would like to get in on the net, give GM a call any Sunday morning at the appointed hour on 3570 Kc. FO of Montreal worked WIQQ in Richford, Vt., on two meters and got an S9 plus! Nice going, Rod. AEJ, of Verdun, is QRT due to two meter BCL. FF, of Verdun, has an EL148 in the final on two. AEL, of Montreal, has an Abbott TR4-B on two connected to a "J" antenna. TA, of Montreal, considering building a 10 and 20 fone with PP 811's. XR after all these years finally got around to applying for his RCC and AEC certificates. XB, of Verdun, should be on by now with his Bendix TA12 after building a big power supply for it. YS, of Verdun, keys PP T20's on 80 at 50 watts and tunes an NC100XA. George should have his new FM modulator finished by this writing. UO, of Sherbrooke, does his phoning on 80 with par. 804's modulated with 807's. Jack hears you on an HRO. YE, of Montreal, gabs on 80 phone with 120 watts on PP T20's modulated with 807's. Ken uses an HRO too.

At long last Quebec has a traffic net! They are known as the PQN and had their opening night on Dec. 6 on 3525 Kc. At this writing the members consist of SC, of Perron Mines; XO, of Yamachiche; XB, of Verdun; YP, of Sorel; ACD, of Grand Mere; AFI, of Lennoxville; VZ, of Baie Comeau; XR, of Montreal; CC, of Cartierville, and MO, of St. Lambert. GM, of Longueuil, is the net control station. If you'd like to join in the fun, give GM a call any night on 3525 Kc. XO, of Yamachiche, uses PP 810's on CW and modulates with 805's on 75 fone. Dick hears the stuff on a Marconi CSR3. JN, of St. Johns, sends in a nice letter. Paul had this to say: SG is chairman of the St. Johns Radio Club with JN being the secretary. RF turned up at one of their meetings with an armful of stuff that went as prizes in a draw. JN's new VFO was hooked to a 40 meter doublet for demonstration but no contacts could be made. XD was supposed to be guest speaker, but, as he works in transatlantic aviation, he couldn't make it. He was in the Azores! RF is QRL new house with a swell location. It's windy there, anyway, as he's lost his 80 meter antenna three times in the breeze. AEE is rebuilding a rig using PP 807's. LQ parted with his AT3 rig, so Sid is just an SWL now, although his dx cards are still coming in. SJ is building a self-contained all-band rig with a Clapp osc. Many thanks for the news, Paul. Hope I hear from you each month so's St. Johns will be kept in the news. GM, of Longueuil, had his rig blow up in the SS contest just as he finished contact number 731 VL, of Montreal, uses ten fone and does his biz with a Millen final with PP 811's. He uses a Sonar KE-10 FM unit to do the modulating. WY, of Westmount, tore down his old ten beam support and put up the top section of a windmill tower to grace his roof. EBF packs a wallop on 80 fone from Valcartier. Frank does it with 450 watts. AGW bangs the brass on 40 from Montreal North. Walt's been in radio since 1926. Welcome to 40, OM. ZF, of Montreal, rattles the brass on 20 with 450 watts to PP 811's.

His squawk box is an HQ129X plus an R9er. Hal's hoping the landlord will like his new Hammond beam to be erected. KD, of Montreal, is looking for buyers as he's selling out to get soldered up to a nice YL. GE, of Pointe Claire has new antenna farm consisting of two twin, three beams on 20 and a five wavelength wire for ten. D.R. of Pointe Claire, showing some signs of life —on CW, of course! Nice sig, Bill. JQ, of Montreal, sold out to tune of 50-watt all-band rig and an S40 receiver. What now, Guy? KS, of Montreal, uses PP 808's at 350 watts on 20 CW, his pet stamping ground. Hal uses a new VFO with Clapp osc. and has mastered his new bug. He hears his dx on an HRO. DU sells again! This time Noel parted with his 1/4 Kw phone rig using PP 814's final mod with 811's. Noel moved from Bordeaux (the town, that is) to Mt. Royal and says town bylaws govern antenna erections, so he's planning an indoor job in his attic. His new rig to be very low power. AEI is parting with his PP 807 ten phone rig and is building a small 807 rig with phase mod. all on one chassis. Ralph has his feelers out for a BC348 receiver. RD of Mt. Royal got his foto in Montreal Herald. Al was pictured in the cockpit of a Cessna aircraft working his super-low-power, extra midget rig. If you really want a swell QSL keep a 40-meter ear tuned for ACI of Chicoutimi. The Westham Radio Club of Montreal lost its first president when JJ moved out to Plage Laval. Bill says he's through with antenna troubles with the landlord and will stick up anything he likes on his new house. We'll miss the "Voice of Snowdon," Bill. Sorry to see you go. Lots of luck. The Montreal Amateur Radio Club held its annual "Ham Hobby Show" wherein members displayed various items of home-built equipment. RD, GK and OG were the judges. JK took first prize with his de luxe, chrome trimmed Q5er. AGF took second place with his peevee battery portable ham super. Ty was third with his very compact 10-20 preselector. These fellows received cheques as prizes. SU supervised the collection of money to get the "Food for G's" going again. Over \$26 was collected and lucky G's will get food parcels. The lucky fellows are chosen from QSL's received from Britain by members who submit them to the committee who note names and addresses and forward the parcels. Initial indications at the M.A.R.C. meeting point to XP as being the new president for 1949. He's the lad who made such a swell job of being the chairman of the recent Montreal convention.

AT YOUR SERVICE! . . . You may not know it, but, for quite some time now, your D.R. and XTAL have been providing Ve2 with a Callbook Listing Service! This service has consisted of having new calls, and changes to old ones, listed in the Callbook Magazine. This is how it has been operating. Your D.R. started up the "Welcome OM" column in XTAL to introduce new calls to the gang tno to indicate changes of address to older licensees. When XTAL was mailed out to the members each month, the printers of the Callbook in Chicago automatically received their copy too. From this "Welcome OM" column they have been obtaining the necessary additions and changes to keep the Callbook up to date. If you have a recent copy of the Callbook, it will be of interest to note, that about 99% of all the three-letter Ve2 calls shown were inserted via your D.R. and XTAL! In spite of the fact that many are of the opinion that the Dept. of Transport sends new calls and changes to Chicago, this service through XTAL is the ONLY medium in existence whereby mass listings and changes are conveyed to the Callbook. Therefore, if you are interested in having your call listed, or your address changed, etc., avail yourself of this service. When doing so, include anyone you know who is not listed or has just been licensed, or who has changed his place of address. If you want to get in the Callbook, write or phone this D.R. He's at your service!

BEEF DEPT. . . . Our QSO's are too blamed monotonous! Don't you get tired of the same stuff over and over again? Don't you get tired of knowing beforehand mostly what the other fellow is going to say and the order in which he is going to say it? Don't you get tired of just calling a fellow to find out how you sound in East Westdale? Don't you get stuck for words after you've told the other fellow the same old line of stuff? Then . . .

don't you bow out short and sweet to call another CQ or some other guy, then start all over again? Ain't it monotonous? It sure is! Why not do something about it? It's as easy as falling off that new mast! All you have to do is throw out your old procedure and adopt a new one! To illustrate, you could begin a QSO like this for a change: "Hello there, fella! Sure pseed to hve u call me hr in Montreal, Que. Ur RST 579. Hw my 50 wts doing there?" In any event, whatever new opening procedure you do adopt, don't play it to death or you'll be back in the same old rut again. Be sure to use plenty of variety. After you've both exchanged the wanted data, your QSO is going to take one awful slump unless you inject some interest into it. By inserting such questions as "How old or you OM?", "Where do you work?", "What's the main industry there?", "How long have you been in ham radio?", etc. By asking questions such as these, you will start the other fellow off telling of his experiences. Then it will be your turn to relate yours. Before you know it, you'll be having such a hang of a good QSO that you'll only break off if the house catches fire, the good lady's insistence or because the rig goes haywire. You'll often find, if you ask questions of the other fellow as mentioned, right at the start of the QSO, you'll be so wrapped up in the conflag, that after an hour or two, you'll both have forgotten to tell each other about your equipment! But no matter what happens, if you get away from your old "rubber stamp" type of QSO, you'll agree that just one of the new type far exceeds the value of a bagful of the old variety. When you finally get to the end of your QSO, end it appropriately but don't use the same old line. Vary it to suit the occasion, but above all, use variety. Then when you finish your log entry, you'll make reference to an "extra-special FB QSO" and the exchanging of cards with the other fellow will give you far more satisfaction. What's more, the old familiar "hpe to cu agn sn OM" will contain far more reality than before. Give it all a try, OM. It's a guaranteed formula for better QSO's and you'll pay that power bill in a happier frame of mind. QS threatens to go back on CW and give ten phone a rest. Maurice only has room for a 20 dipole so that's where you'll hear him. WW, the dx man of Ve2, moved from his antenna farm at Laprairie to the airport at St. J00hns. Reports indicate his crop is good there, too! Don's latest addition to the shack is a Collins 75A receiver. Quite a collection of gear is on hand at AFB's location on Dorchester St. W. in Montreal, for AGF moved his stuff to the same location. Hope you guys will be able to tell who's on whose air with whose rig! 80 CW echoes with the sigs of GU, FZ and KB. AHK of Sorel keys 30 watts on 80. KR of L'Assomption (near Quebec) has an 807 on 80 CW. Frank sucks in the sigs with a homemade super. AHE of the Seignior Club had an fb trip to the U.S.A. and visited several makers of ham gear. On his return he visited one of the boys in Drummondville. LO of Drummondville sends in his very regular monthly report (your scribe would welcome similar letters from you, too) and just gets in under the half-wave wire. John says his xyl is back from G-land so he has no more menu worries and can work the rig more often. AAG of Drummondville has been taking to 40 and is in the act of collecting parts for a 100-watt soup-set with VFO. TD of the same town is back on 40 with the blast of an 813 after revamping

his antenna. JI, also of Drummondville, the lad who spends so much time with the local scout troop, is rumored to be practising the bugle in his basement! You should have lots of BCI with that gadget, Olaf! Better to blow than your final, hi! BZ of Montreal took to the postwar air for the first time recently with a 6L6 final and an S40 receiver. WK is an RR man but finds time to use his 807 and 6L6 modulators on 80 and 20. Stewart recently latched on to a RCA AR7TE receiver. AEG of Montreal, with only 15 watts tickling his 807 on 10 phone that's hooked to a folded dipole, snagged five G's and a PA zero in one afternoon! Nice going, Sid. AEL is one of the Montreal 2 meter crowd. John is replacing his old "J" antenna with a super self-supporting "J" made from one-inch aluminum pipe that will be the landmark of St. Catherine St! AEJ of Verdun is dreaming up a new 2 meter rig to use an HY75 in the final. Ed will modulate it with the audio section of a 19 set. He's putting together a superregen job for listening. FO in the Cote des Neiges area of Montreal has been setting the pace on 2 by working regularly with four or five W1's who give him S8 and 9 reports! Rod uses a Millen rig and 829B in the final that absorbs 25 watts. One of those National HFS receivers is on the receiving end. And that, gang, takes care of the report for this month. See you all here in February. In the meantime drop a line on what you're doing this way and get in the news. Read on and Happy New Year to all.—73—Floyd.

Votre chroniqueur français: Marc Cimon, Ve2WH
2156 Blvd Laurier, Québec, Tél. 7-1168.

Bonne et heureuse année à tous les lecteurs du XTAL; nombreux QSO's, nombreux dx's et le moins possible de QRM. Tels sont les souhaits que votre chroniqueur vous formule. Le bande de 75 mètres compte maintenant une voix des plus charmantes. En effet Mlle Françoise Dufour, Ve2ACI, de Chicoutimi, vient d'être licenciée pour la téléphonie sur cette bande. Elle est actuellement la seule yl de langue française à posséder et à opérer sa propre station sur 75. Félicitations, Françoise, et venez souvent sur l'air! RA, athrefois de Hull, a transporté son qth à Chicoutimi, d'où il opère maintenant sa station. DX, TY et GW de Montréal, ont été entendus à Québec sur 20 mètres à plusieurs reprises durant le mois de novembre. GF annonce qu'il est à construire un poste de 300 watts. En attendant, Rosaire opère en CW avec une 6L6 et un rcvr super-regen. XC a construit un eco très élaboré et le mettra bientôt sur l'air avec un pp 810 en final. AFC est un amateur des plus actifs. Alex a été licencié en mai dernier; depuis, il a contacté 28 pays différents, 47 états des E. U et il a fait en tout plus de 1000 qsos fb OM. OA est en train d'essayer d'ajouter la bande de 10 mètres à son rcvr, un BC348. Eusuite, André se propose de faire beaucoup de dv.

Attention: les fervents du CW! Voulez-vous pratiquer votre passe-temps tout en vous rendant utiles? Alors écrivez à Gordon Webster, Ve2BB, 2299 St. Joseph Street, Lachine, P.Q., et demandez-lui pour entrer dans un réseau pour le relai des messages. Aucune habileté spéciale n'est requise de votre part et soyez certains que vous ne regretterez pas les contacts que cela vous donnera l'occasion de faire.—73—Marc.

Ve3

W. Bert Knowles, Ve3QB, Lanark.

Last month as we wrote our report we were on our holidays in Kirkland Lake, and several reports were received too late to include in the report. Please mail your reports by the 25th of the month. While in Kirkland Lake your D.R. visited Ve3ALU, PH, PA, BJE, ALT, WI, BBQ, DAD, AZN, EAA, BHU, ANK, BGI. We would like to express our appreciation and thanks for the wonderful hospitality which was shown to us during our visit, especially, ALU, PH, PA, AZN and BBQ, who at various times took your D.R. for visits to the other hams. Also to the Kirkland Lake Club for their splendid banquet. Our thanks also to the North Bay and Arnprior hams for the kindnesses shown. Our congratulations to Ve3KE for his fine score in the B.E.R.U. contest (full results in Dec.). AZZ is busy on QON net with ATR and others. ATR complains that the Lanark postmaster has too much ink and spoils the stamps for collection purposes (you're not the only one, Reub). EK is rebuilding his final for band switching. BWW is on 40. UF has modulation trouble. BBM and BCJ have their fone licenses. New hams in North Bay are DBC, DBH, EAW. ANY is studying nuclear physics. Gord has worked 24 countries on ten since Oct. 14. AZP and DAN are fully equipped for emergency work on two meters. AIB has been on all bands since the war but finds two meters the best. AJS is trying phase modulation on ten. AOP is feeling a little better after having

LEARN CODE
this easy way

•This automatic INSTRUCTION machine will teach you quickly to send and receive code (Morse or Continental).



It comes complete with code tapes and instruction book, gives clear signals as fast or slow as you wish. Low Rental plans, clockwork models, for 1, 3 or 5 months. New machines for sale, Electric Models included. Write for folder giving full details.

Day, Night, and Home Study Courses in Radio and Television; and in Radio Communications.

RADIO COLLEGE OF CANADA

54 Bloor St. W. - Toronto

Canadian Rental Hdqtrs. for over 10 Years

been in the hospital. AAJ, ADJ, BHK, are on six and trying to get to two meters. BLY is on 40 with half watts, his 814 went west. RW is using nasty band FM and manages to get the sleep out of his eyes for AFARS net at 0900 Sunday mornings. BND is on RP and 80 CW. BGV has a 19 set. HB and ANO are moving to new QTH's. IZ has a 144 Mc beam 60 feet high. JJ, the club station of the West Side Radio Club will soon be on the air. QB is working cross-band 75 fone to 40 CW on Friday evenings. APN has BCI—of all places, in the police station.

AHX is building a new house—no doubt the main room will be the radio room. ADR is getting out with five watts to a 2A5. MI is going after 14 Mc dx, but was also on 7 Mc. QB started in the Ve3 nest-acquainted party, but had to QRT to write this report. AJS would like to know anyone using mobile on 75. ADP has been doing some rebuilding and hunting. ATR hopes to have a VFO before long. WY is on 75 fone with NBFM. LZ says he is going to concentrate on U's seeing he cannot hear any new countries. AWI had 50 contacts on 75 fone in Ve contest. BBM made 194 points with a No. 19 set. 73—Bert.

Ve4

G. J. Walsh, 4GW, c/o Union Stockyards Restaurant, St. Boniface, Man.

Hello, fellows! As your new D.R., I'd appreciate reports on ham activities in Ve4 land. Remember it is your reports that will keep this column going. Now let's see what the gang is doing. Ve4TC is on 10 and 20 phone with a pair of 809's. Tom spends a lot of time working his bosom pal, Ve4QC in Edmonton. DO is experimenting with a Clapp VFO. Bob is strictly a ditdah man and is designing his new QRM factory accordingly. EA burnt out his modulation transformer. Frank spends most of his time on ten phone, for which he has a new three element array. NZ is on 20 CW with a pair of 803's. There's a lot of RF in them thar bottles judging by the burnt out antenna coil in Henry's HQ 129. The beam rotating mechanism at TB's is frozen solid. AM is doing yeoman service on the 80 and 75 meter nets. QC identifies his presence on 20 CW with an 810 in the final. FM is another 20 meter CW regular. AI was so anxious to try his new vertical that he was still cavorting about the roof at midnight trying to get it to perk. OU is on 20 CW. XL and PM are new in St. Boniface. XL is using EL's rig as Ed is busy at university. DG has modified his 1155 into a real hot performer. The Hammond 10 meter beam that JE is sporting is a gift from his xyl. (Tell me, Bill, where can I find a girl like that?). TJ hooked AR10D for his 100th country. Congrats, Al. RO is up to 166 countries. SS dismantled his rig to build a new dream job. NG rebuilt his rig, scope, and also invested in a new mike. GV at Minnedosa is on 80 and 40 CW with an 807 and 1155 receiver. CX is using NBFM to eliminate BCI. GI is on 10 and 20 phone with a sweet-sounding rig. WB was heard on 10 expounding to another local on the disadvantages of overmodulation. The local in question didn't reply. KY is on 40 and 20 CW. OG is designing a new rig. HU is a regular on the high end of 20. Currently Bill is pouring half a gallon into a three-element beam. MC is now a married man. All the best, Hugh. SR is building a speech clipper. YG is on 10 phone. YR at the Pas is on 20 phone. GG at Sanford is also on 20 phone with 150 watts to a two-element beam. AT is using a pair of 807's on 20 CW. However, Bill was last seen dusting off a 250TL.

EL, DG, GW, EA, KW, DE, DD, NE, CY are all at university taking engineering. GW has new 350W final finished and will have it on 20 fone shortly. CG is a new call belonging to Don McLardy. DY has new transmitter with an 815 final running 60 watts on 40 meters. CX is experimenting with NBFM. DL is now screen modulating in order to operate the high end of 20. DC is rebuilding to higher power. EA has a three-element beam for ten meters. 4NG is now plate modulating with a pair of 807's. 4DO is back in Winnipeg and is also rebuilding.

TOUGH LUCK DEPT.: BF put up a new three-element rotary and spent a couple of days tuning it. After getting everything right on the nose, Gordy went to bed with the idea of clamping the telescoping elements the next morning. However, the next morning was too late, as a high wind during the night had placed the telescoping elements on the ground. FK is building a monitoring scope and has a new 20 meter folded dipole. DY has a new rig that makes a factory job look haywire. When not pounding teletype keys for army signals, D'Arcy may be heard pounding brass on 40 meters. IC is back from the west coast and says that it is nice to see the sun again. (7OT take note). BR is using a pair of 812A's and has the choice of NBFM or plate modulation.

Barney is contemplating plugging the phones into a new Collins in the near future. AJ prefers 10 to 20. AD, who blazed the trail for NBFM and Q5'ers is now doing likewise with speech clippers. When are you going to try SSSC Alex? KW, using 40 watts, maintained weekly 40 meter skeds throughout the summer with a university friend, DD, located 400 miles to the north. GW jumped power from 55 to 350 watts, modulating a pair of 812A's with a pair of 811's. BD, at Deloraine, is on 80 CW. RP and YO have added speech clippers. DL is still experimenting in true ham style. After trying phase, reactance, screen and cathode modulation, plus every type of antenna conceivable, Reg finally ended up with phase modulation, a long wire antenna and a new final incorporating 813's. WF has a new rig on 20 phone. The W.A.R.C.'s bus trip to CBW was cancelled due to a snowstorm. Well, that's all for this month, gang. Please don't forget the reports. 73—Jerry.

Ve5

A. C. Cox, Ve5BF, 237 5th Ave. N., Saskatoon

The Saskatoon Radio Club held its November meeting at the university, where they were favoured with a lecture and demonstration given by Dr. Katz on ultra-high and super-high frequencies, explaining the use of wave guides and resonant cavities. He demonstrated a 2392 Mc oscillator, modulating the oscillator and increasing the modulation voltage until the carrier disappeared and only sidebands were left, a phenomenon witnessed on the scope. Nearly all members of the club were buy-eyed at the finish. Six meter activity has progressed and 5JF and 5BF have had several lengthy QSO's. 5BF also tested on six with 5RV at Laird 43 miles from Saskatoon with no luck, but RV notes that it has since been found that 5BF's beam is a wrong way Corrigan, for when pointed north it transmits south. With the ten meter band opened wide, lots of Saskatoon hams are working ten. 5AN still has troubles in making his heap work on ten, and 5CJ has greatly improved signal, but still trying to correct a lag when first switching rig on. With the help of very wise suggestions (and otherwise) from the clinic, he will likely discover the bug. 5FY is still travelling, haling license laggards and collecting the odd shekel for the gov'mt. 5YF pounds the brass and is occasionally on 75 phone keeping tabs on the O.M. 5RJ still finds the three-element rotary works fb and 5FL, his xyl, is becoming a real dx hound. 5FD has tried NBFM on 75 but hasn't got coils wound for 10 and 20 yet. 5AJ has his Hammond 10-over-20 working but has been so enthused with results on 20 that he has stuck there for the most part. 5DO is still building a receiver. 5DR on 10 meter NBFM is doing well and got S8 from VK with his 70 watts. 5CR is just about ready to bust large holes in the ether. 5EE is struggling with 814's in push pull and having troubles getting down to 10 and 20 with them. 5FG is now secretary of the club but hasn't got transmitter on the air yet. 5GR is in active. 5KQ is rebuilding but almost set to go. 5LG does not disturb anyone yet. 5MQ has not been on NBFM much lately; have you gone back to CW, Jack? 5OB with his wonderful receiving location, SX25 and TBS50, is working on 10 and 75 in fine style. 5UC is heard on 75 again—good for you, Cec, and that's a swell signal you have. 5UZ was heard having trouble with modulator, or was it two other fellows? 5EW has not been so active lately. What's cooking? 5RC, we hope, will soon be in our new six meter roundup.

5RV is interested in six and has a six meter converter. 5BZ is also interested but has no gear. There are several six meter stations in Moose Jaw and some in Regina, we believe. Regina and Moose Jaw, only 40 miles apart, should be able to contact on six. Let's hear from you. 2XR, D.R. for Quebec, sent your reporter messages of congratulations on appointment as Saskatchewan D.R. and on first column. Thanks muchly, OM, but to make this column interesting we must have news. Will all hams make note to send report of activities for CAROA to Gus Cox, 5BF, each month-end promptly. Put up something on the wall to remind you. 5GA down at Regina Beach where the Big Fish grows doesn't like NBFM and he doesn't care who knows it. Can also work on 20, anything the other guy can work on ten and without a beam either, but, Bill, what became of the skunk network? Has the president resigned? 5HS at Buchanan with the powerful 19 has been heard lately on 75 with good wallop. 5BU, my namesake, is on regularly, and 5JG with the good NBFM is mostly on 10 and 20 pushing a signal into the far ends of the earth. 5VA, Joe at Morse, is a familiar voice on 75. 5AB at Star City is coming through on 75. 5WC at Battleford is also heard regularly. 5AS at Lloydminster has too many receivers, we believe, but he puts in a nice sig on 75. 5GC at Wiseton puts out a signal, but at Saskatoon QRM usually snows him under. 5GI at Lipton is getting the bugs out

and 5FA at Nokomis has a new ten meter beam with which he is working the dx. 5RD and 5RB are regulars. 5QT at Eyebrow has been heard on 75, and 5EN at Kyle. Is 5AQ still working the dx on 10? Have not heard them calling him lately. 5BN at Cudworth is being transferred, so will be on from new QTH after he gets set up. Will someone at Weyburn and Swift Current, Yorkton, Melville, report on activities in those points? 5FA and 5GA are Official Broadcast Stations for CAROA. Listen for 5FA Thursdays at 8 p.m. and 5GA at 10 p.m. Is anyone trying out the Cubicle Quad? If so, let's hear about your experience with it. Have heard 5RJ calling 5QP at Elstow, but QP apparently short of crystal for 75 phone. 5JV at Regina and 5OC are on ten meters. ZL's are not dx to these boys any more. They are just locals. 5DG has got on ten and 5GD is the proud possessor of a Hammond 20 meter beam. Haven't heard 5CM or 5LM on 75 meters lately. What are you boys doing? Are you on 235 Mc? 5BG has left the province and we expect he will blossom out with a Ve6 call. We were sorry to learn that Len, Ve5EV, at Herbert, had to go to hospital for an operation on his leg. At time of writing he is still in hospital but expected home any day. In the meantime, Stan, the junior op., is keeping the tubes warm. Ve5JS has been 75 meter portable around the country and now 5FY has his portable going. Moose Jaw Club now meets in Armoury and are giving code practice to new or future hams. Austin Capper, president; W. Donnison, secretary. 5HB now on fone. LV will get any Sask. ham any information from OP regarding cards for them at the QSL Bureau in Moose Jaw. Forty cards at the bureau for MA, JD and CO up late nights in SS contest. Gus Cox coming in on 20 meters fone in Moose Jaw R9 working a G (you should have given the youngster a quarter, Gus). OP working dog shift and getting plenty dx on 20. CW using FM on 80 and OM getting the bug. OM had another birthday and got an 810 from family. How many birthdays a year, Austin? HR leaving Moose Jaw and going to Saskatoon. Sorry to lose you, Harold. Thanks to Fred Ward, 5OP, for the news.

The Regina Radio Club meets in the armouries and heard an address from Marsh Ellis on Elimination of Interference in Radio Broadcasting. Will someone please prepare an effective address on the Elimination of the A.C.-D.C. receiver?

The Prince Albert gang held a banquet about two weeks ago for the formation of a Northern Saskatchewan Radio Club. Said club was organized, and a grand time was had. To date we have no details of the officers elected or the activities of P.A. hams, but we know 5DW is on 75 with 20 watts. 5PA has been heard on 75. 5RV and 5CE work ground wave on ten meters 20 miles apart. 6EB was heard by 5BF on ten meter phone calling CQ. 5GC worked Ve2XD on 75 phone. That's all for this time. Let's hear about club activities. 78—Gus.

Ve6

W. R. Savage, Ve6EO, 329 15th St., Lethbridge.

LZ thought his modulator was burning up, but it was only his cigarette. DN says he is going to stay with his \$1.35 mike; well, it works, Cliff. Very pleased for the envelope, RM; hope to hear from you again some time. KS is very active on 40, but says he has no time to enter contests. CD is another 40 hound and is sometimes on 20. VN is a plumber, and you should see his hand basin in the bathroom of his new house; it would show up any panel on a receiver, knobs and all; sorry, no S-meter. JD is supposed to have a rig that would take a steam hoist to move it. EB is under the weather but is still on the air. DW is working on command sets for a VFO. WG is very active on 40. How do you find time for QSO's and being R.M. too? FG has a TA-12 he is getting on the air but he can't make up his mind if he should run it on 24v D.C. or convert it for 110v A.C. AS is busy building a rig but is having a struggle so far.

LS has gone to Edmonton to service radios. NA is busy on 10 fone and he along with SE, VS, VX and YD, intend to pay the Lethbridge gang a visit. AA has a new xmtr now, a commercial job. KO is busy converting a BC348 into a VFO. HW has about finished his stay in the city and will soon be going back to Calgary. AX is trying out microphones, wonder if he is picking out a good one for Santa to bring. LI is heard on 75 fone. HP has a pair of GR8000's and says he is going to put them on the air one of these days, so watch your receivers, fellows. LZ says he draws seven amps of line current, so he shuts off his Q5'er to save blowing a fuse. ME says she really has a good beam now on a 45 ft. steel tower. JJ is still testing with mobile equipment and is putting an antenna on his car. GE is still very active on 75 fone, but has to shut off the delco plant to get good reception. EA can't figure out how anyone can pluck

three chickens a minute. I can't either. Roy. PP gets his QSL from Luxemburg. EH is around Lac La Biche and paid Pere a visit. NW after moving house has got his rig back on the air. IX is still on 75 fone with his flea-power rig and is still getting out fine. HC has a home-made meter on his rig but he can't read it because there is no scale on it, hi. EB blows a 5000-volt condenser in his modulator but has replaced it and is on the air again. DR is very busy, even on Sundays. DN has got worries now; his generator conked out while in QSO with 7ALP. WZ and ZI along with their xyl's attended the L.A.R.C. social evening. 78—Bill.

Ve7

Ernie Savage, 7FB, 4553 West 12 Ave., Vancouver.

Well, here we start the new year, and the same old wish to you all—Happy New Year and may all your best wishes come true, and my old wish, let's hear from you so I can put it in this column. Jim 7UT is on 40 CW and we have Doug 7CW on 75 phone, both from Nelson. Marv 7OT is back in town and is heard on 75 phone; guess 20 must be dead. Annual Hamfest of V.S.W.C. on Nov. 28 was a great success; over 80 members and guests. Joe Sommers, engineer for CJVI, gave an interesting talk on the principles and difficulties of television, and 7CH showed a movie on FM at the afternoon session. In the evening most ceremony and formalities were dispensed with after guests were introduced. A travelogue movie was shown; there was a magic show, display of dancing, and prizes were given at intervals, indispensable eats, of course, and the evening wound up with a dance and the usual gabfest. 7RM reports the arrival of a junior operator. Congrats from all, Ron. 7GB has the first working television in Victoria. We can't say who is the first in Vancouver; several have made the paper and pictures. But there must be an amateur somewhere in Vancouver who has the first television. From Bridge River there is another new ham—7ANS. He has all but his receiver up there. Frank 7GZ has the antenna up now, so we hope to hear from him, if it is only six feet up. Bridge River has put up the claim that they have the most amateurs per capita: 25 families and four Ve7's. Who can beat that? George 7QV reports 220 KV line has a nine plus signal and takes good signals to get over it. From Oliver they have a 19 set ready for emergency and are planning further projects for portable gear. With the 19 set they have worked some fine dx on 45 ft. antenna. Milt, 7MC, has flea power Franklin osc. working, and plans now to drive his gallon bottles. Bill 7DB is heard with a few words before running off to work each evening, but is heard in the a.m. working dx, or trying to. Tommy 7ZT has broken the 5 o'clock on CW and is putting in fine signal. Cy 7ACW and 7CX Stan are a committee of two from Alberni district to go into the matter of emergency communication and find out all the things that are needed. Well, they should know, but now that they have started it may never be needed again for months. But to date they have really put up a good show in clearing traffic. See December XTAL. Stan 7CX and Ted HE had their antenna blown down by the wind. Ted even had a tree fall across his garage, just missing the house. 7BB took unto himself a wife, Nancy. All the best to you both, Ivan, and maybe she will fix the rig and get you back on the air again. Bill 7OM still on 40 CW and King 7AL is still receiving cards from stations that his friend the unknown has worked. Bob 7AKF has gone and done it; congrats to you both. John 7JB had the gang up to his place and King showed us how you work with full gallons. You stand clear of the rig so the cool air can rush in and the ozone rush out and that is all you do to work a W8 on one call. Easy, ain't it? Bill 7AFC has built a shack in the basement and soon may be back on the air. The boys had a call from the water board to ask for communications from up at Capilano. Phil 7GR loaned his 19 set and 7AMH and 7XW Hedie went as operators, but in the rush they left Hedie home, and also a key, so no word was heard from there. Bill 7AFC went up to 7FB to work them but it was nothing doing, so if you hear any word that we (the amateurs) let them down, or our equipment, did you say. "What happened to your truck not picking up all the stuff and things?" Also Wilf 7US and 7FB spent an evening handling C.P.R. railway traffic and in the shuffle took C.P. into Vancouver from Ve6LQ. Also Mary 7OT was handling C.P. traffic into Vancouver. We did have quite a bit of trouble from one station who wouldn't believe that the O.K. was given from Ottawa to handle C.P. news. It looks like we are going to have lots more wire trouble and so forth with this cold weather down here. How many can operate without the good old AC source that comes into your shack? 7ID or your SEC would like to have your name and what you have on hand for such an emergency, and let's

get together on this deal and run it as a combined operation. Ed Brooks 7BJ made up a sheet on nets in the last do and that should be still in force as to channel work. If you haven't seen one and would like one, I have several, and Ed should have some left. That is food for thought with this weather as 'tis now. Ve7NI the Blind School is all set to go again for the new year, and thanks to all the clubs and their members. If any who do not belong to a club want to help let's hear from you. 7AC Reg is still looking for word from you on ideas and so forth re our 1949 convention. —73 and Happy New Year—Ernie.

Ve8

Jack Spall, Box 268, Whitehorse, Y.T.
National Report Yukon and N.W.T.

Dawson City, Y.T.—AH keeps busy on 75 with local and KL7 ragchews using a BC459 and S33 receiver. AY still knocking the dx cold. George would like to know where or who EZ4X is, as has QSO'd him three times but no QTH. CE uses pair 807's in parallel mostly on 20 CW. Best dx is Mukden, Manchuria. Chuck will soon add a pair of 811's in PP. CG uses 40 watts to an 807 on fone and CW, also trying a BC4157 on ten.

Mayo, Y.T.—AM keeps busy on all bands when not rushed with local R.C.M.P. troubles. Ivor uses RK4D32 final, Class B mod. with 807's. Art Dorman hopes to be on soon as cal larrives.

Whitehorse, Y.T.—JS busy trying to rebuild and fix up a place to ham in his new abode. RL is newcomer from Ve1 land and has hopes of being on some time this winter. AW sez he's through with hamming but is still being heard working the dx on 20. BG has small rig on 40 for local chats. BB, Cliff, is getting ready to leave the north in the spring and has sold all his equipment. AL does some work on 20.

Teslin, Y.T.—AK, Bob, is the lone ham at Teslin airport and when not busy for DOT, keeps busy on all bands, fone and CW.

Watson Lake, Y.T.—AI complains of scarcity of dx but is hoping for condx to pick up soon.

Good Hope, N.W.T.—MF finally got rig set up and is all ready to go after the dx. Dave uses an NC240D receiver and an 813 running 200 watts, sticks mostly to 40 and 20 CW.

Fort Smith, N.W.T.—NZ has departed for Ve6 with his 19 set. OX has been moved to Clyde River with DOT. OY is on an extended holiday in England. NM uses an 813 fone and CW, mostly on 20 and 40, but has been too busy to get on the air lately. MZ trying to get up a rotary beam but having tough time getting sufficient hardware.

Yellowknife, Y.T.—PJ has Harvey Wells TBS50 and half-wave ant. So far all Ve except Ve6, W1 to W8, SM and ON have been contacted on 20 CW.

Aklavik, N.W.T.—NR is the only active ham at present and hopes to be on soon with a bigger rig on fone and CW with 75 watts. NP, H.B.C. man, hopes to be on soon as the curling season is over. 73—J.S.

To date seven applications for the Quarter Century Ve Club have been received. The first ten will be listed, we hope, in February XTAL.

We have an interesting letter from E. A. Kirk, Ve8AC, ex-5QB. To the best of his knowledge, he and his xyl hold the only ham tickets north of the Arctic Circle in the Yukon. They get three or four mails per year, each one bringing QSL's for contacts never made on ten meters. Seems you can't escape by going north.

C. H. Bradshaw, Ve7YT, must be one of the most WAC'd Ve's. In addition to holding a pre-war certificate under Ve5RI (the list in an earlier XTAL was in error in omitting this call) he now holds another WAC for 7YT, with 28 Mc sticker. And some of us can't get Asia even once!

TURRET ASSEMBLIES PIONEERED BY B & W

Still Preferred by Discriminating Amateurs



WRITE FOR BULLETINS
giving full details on:

B&W "Baby" Turrets (up to
35 watts)

B&W "Band Hoppers" (up
to 75 watts)

B&W 75-watt Turrets

B&W 150-watt Turrets

B&W

Through the years, the Turret line, as first developed and introduced by B&W, has been improved and enlarged—and has consistently grown in popularity! If you are building a new rig or revising your present one, start by selecting the B&W Turret that offers all these advantages and more!

- Pre-assembled, pre-wired and tested at the factory. Quick to install and quicker to shift bands for you after installation.
- Select 80, 40, 20, 15, 11 or 10 meter band by the flip of a switch. (11 and 10 meter bands covered by 10 meter coil.)
- Switch design shorts unused coils—eliminating absorption effects.
- Complete assembly arranged for $\frac{3}{8}$ " hole panel mounting—provides panel control for quick, positive band switching.
- All B&W Turret types may be tuned on all bands by condensers having an effective capacity of 50 mmfd.

BARKER & WILLIAMSON, Inc.

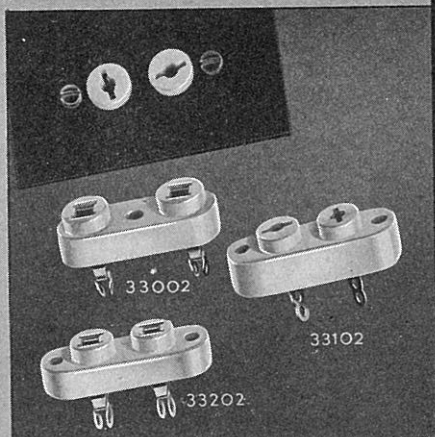
DEPT. XL-19, 237 FAIRFIELD AVE., UPPER DARBY, PENNA.

Canadian Representative: WM. F. KELLY CO., 1207 Bay St., Toronto

Designed for



Application



Crystal Holder Sockets

33002 and 33102

Plus new 33202 for CR 1

In addition to the original 33002 and 33102 exclusive Millen "Designed for Application" steatite crystal holder sockets there is now also available the new 33202 for the new CR1 holder. Essential Data:

Type	P.in Dia.	Pin Spacing
33002.....	.125	.750
33102.....	.095	.500
33202.....	.125	.500

**JAMES MILLEN
MFG. CO., INC.**

MAIN OFFICE AND FACTORY
**MALDEN
MASSACHUSETTS**



HAM-ADS

Copy for Ham-Ads must be received before the tenth of the month preceding issue. Rate is 25 cents per line.

WANTED—By Ham in wheelchair, complete 10-meter fone rig, built; can pay \$50. Jim McKay, Ve4GV, Box 139, Minnedosa, Manitoba.

QSL Cards Printed—1,000 1 colour, \$6.00; 1,000 2 colour, \$8.00. W. J. Wiskin and Co., 105 Princess St., Kingston, Ont.

QSL's for discriminating hams. Distinctive! Colorful. Highest quality! \$1.50 per 100. Samples 10 cents. Ve3QS Print, 344 Pape Ave., Toronto.

2 1155-A RECEIVERS for sale. One complete, as purchased from W.A., \$45. Other receiver less dial and tubes, \$25. VE3LV, phone New Toronto 2138.

FOR SALE—Hallicrafter S40A, improved with antenna tuner, S-meter and separate 12" speaker in matching cabinet, \$190. VOLT-OHMMETER, Radio City model 418, AC-DC reading, 0-1, 0-100 mils, 2.5, 10, 50, 250, 1000 volts, 0-600, 0-1000, 0-1meg low ohms, 1 amp. DC. \$15. No. 19 set P.A. with 813 and power supply 1500 volts, complete with cables. Meissner dial, .54 to 32 Mc with band spread 0-100. Gilles Parrot, VE2OU, P.O. Box 103, Riviere du Loup, Quebec.

FOR SALE—Can. Marconi SMR-3A, receiver, 150 Kc to 31 Mc less BC band, bandspread, RF stage, 2 IF stages, complete with tubes and Marconi PPR-1 pwr supply 25-60 cycles, manuals, but less speaker, \$70. 50-watt xmtr, 807, 6v6, 83, with 60-cycle power supply, all on 1 chassis, \$30. AR-6 receiver, converted to 110 60 cycle, less speaker, \$40. All inquiries answered. W. J. Ford, VE1RT, 129 Lawton Blvd., Toronto.

FOR SALE—National SW3, excellent condition, 10, 40, 80 mtr. coils, \$25, or best offer takes it. VE3JF, 89 William St., Stratford, Ont.

FOR SALE—PE103 dynamotor, excellent for mobile, input 6 or 12 volts, output 500V at 160 Mills, \$15. Like new. Express collect from Ninga, Manitoba. VE3ST, P.O. Box 572, Kenora, Ont.

JAMES MILLEN MFG. CO.

INC., Products are represented in Canada by

ASTRAL ELECTRIC CO.

56 Wellington E., Toronto, Ont.

GUARDIAN RELAYS

Overload Types

X300-ER — Potentiometer adjustment to operate on any current setting between 250 MA to 750 MA. Reset relay can be operated from any point convenient to operator. Contacts will handle 12.5 amps at 115V, 60 cycle, non inductive load. Your cost **\$7.40**

L500—Operates on 500 MA load, mechanical reset. Contacts rated 1500 watts on 115 VAC non inductive load. Your cost **\$8.60**

L250—Operates on 250 MA load, mechanical reset. Contacts rated 1500 watts on 115 VAC non inductive load. Your cost **\$8.60**

Antenna Types

A300—60 cycle, 110 VAC, DPDT contacts for transmitters up to 1 KW input. Your cost **\$7.28**

A100—25 cycle, 110 VAC, DPDT contacts for transmitters up to 1 KW input. Your cost **\$7.51**

A100C—25 cycle, 110 VAC, SPDT contacts for transmitters up to 1 KW input. Your cost **\$4.19**

HALLICRAFTERS

S-38 available again—Frequencies 540 Kcs. to 32 Mcs. in four bands. Main tuning dial accurately calibrated. Separate band spread dial. Other features: B.F.O., AM/CW switch, stand by/receive switch, automatic noise limiter, speaker/phones switch. Six tubes: 1 12SA7 converter; 1 12SK7 IF amplifier; 1 12SQ7 second detector, AVC, 1st audio amplifier; 1 12SQ7 BFO, automatic noise limiter; 1 35L6GT second audio amplifier; 1 35Z5GT rectifier. Operates 105-125 volts AC or DC. Your cost..... **\$79.50**

HAMMARLUND

Your Cost
HQ129X **\$259.50**
Matching Speaker **16.00**

ELECTRO VOICE

Model 50C—Double button, carbon mike **\$ 5.90**
Model 50CS—Single button, carbon mike **4.40**
Model 605C—High impedance dynamic mike with 8 ft. cable..... **19.60**

BOOKS

Television, How It Works, Rider..... **\$3.10**
Principles of Television Engineering, by Fink **7.25**
Understanding Vectors and Phase (paper) **1.20**
Understanding Vectors and Phase (cloth) **2.20**
FM Transmission and Reception (cloth) **4.32**
The Cathode Ray Tube At Work..... **4.65**
Radiotron Designers Handbook..... **1.50**
AC Calculation Charts, Lorenzen..... **8.65**
Radar—What It is..... **1.20**
Understanding Microwaves **6.95**
ARRL Handbook 1947 (to clear)..... **1.25**
Beam Pointer Guide Book..... **1.20**

WAR SURPLUS

Lip carbon microphone..... **.98**

SPECIAL P.M. SPEAKERS

4 inch **1.75**
5 inch **1.75**
6 inch **1.75**

TRANSMISSION LINE and CABLE

Type	Per Ft.	Per 100 Ft.
14-056—300 Ohm Line.....	.031	3.12
14-079—150 Ohm Line.....	.03	2.88
14-080—75 Ohm Line.....	.03	2.64
14-023—75 Ohm KW Line...	.10	
14-076—300 Ohm Tubular KW Line10	
14-022—300 Ohm Twin Line, extra strong10	
RG8U —52 Ohm Co-ax Cable24	
RG11U—75 Ohm Co-ax Cable21	
RG58U—52 Ohm Co-ax Cable11	
RG59U—73 Ohm Co-ax Cable14	
BA4M —95 Ohm Twin Co-ax Cable12	

CONNECTORS

83-1SP —Plug for RG8U and RG11U **1.12**
83-1SPN—Plug for RG8U and RG11U **1.63**
83-168 —Reducing Adapter for RG59U. Use with 83-1SP or 83-1SPN..... **.29**
83-1R —Receptacle for 83-1SP or 83-1SPN **1.65**
83-2R —Chassis Receptacle for BA4M Co-ax **2.38**
83-2SP —Plug for use with BA4M Co-ax **3.10**

FREE LOG BOOK WITH EACH \$5.00 ORDER

Be Sure to Ask for Yours — Supply Limited

LEADING WHOLESALE DISTRIBUTORS OF AMATEUR SUPPLIES IN CANADA

CANADIAN ELECTRICAL

MONTREAL
275 Craig St. W. PL. 3421

SUPPLY CO. LTD.

MI. 2481 TORONTO
543 Yonge St.

There IS a DIFFERENCE



When you buy radio tubes, you can be sure that the name of Westinghouse on each tube means uniformity . . . dependability and long operating life. That's why it will pay you to specify and use

Westinghouse
Radio Tubes



CANADIAN WESTINGHOUSE COMPANY — HAMILTON, CANADA